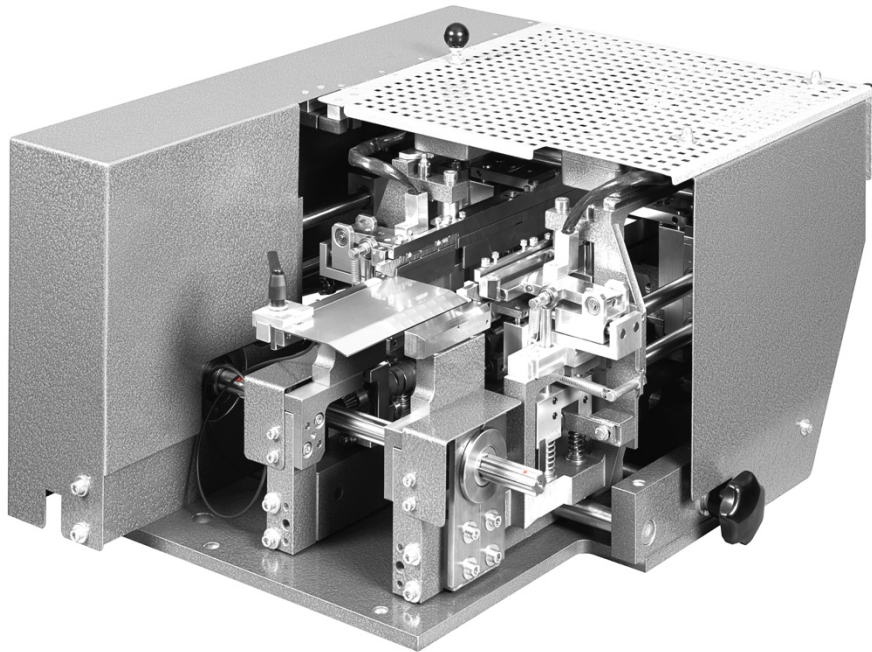


Endfold Attachment

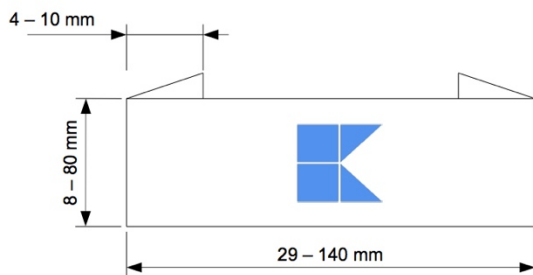
HK-EF 200 & HK-EF 120



HK-EF 200

Suitable for
HK-ECO 2015 Base Machine
HK-ECO 3015 Base Machine

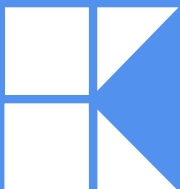
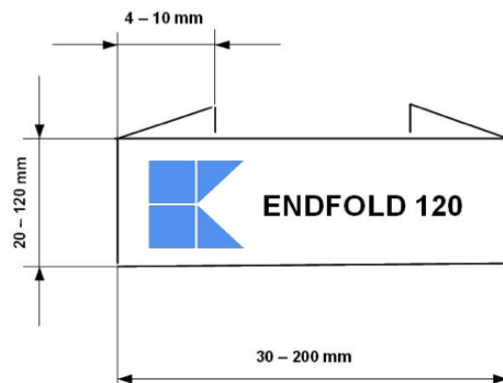
Folding length: 29 – 140 mm
Label width: 8 – 80 mm
Speed: 20 – 200 pieces/min



HK-EF 120

Suitable for
HK-ECO 4015 Base Machine
HK-ECO 5015 Base Machine

Folding length: 30 – 200 mm
Label width: 20 – 120 mm
Speed: 20 – 150 pieces/min



Horst Kind GmbH

Langobardenstrasse 83 • D-42277 Wuppertal • Germany

P.O. Box 20 10 22 • D-42210 Wuppertal • Germany

Telephone: +49 202 26642-0 • Telefax: +49 202 26642-24

E-Mail: info@horst-kind-gmbh.com • Web: www.horst-kind-gmbh.com